



"The Sandbox Company"

Owner's Manual

Ground Model Sandboxes:



CSG-6060



CSG-60120



CSG-120120

SandLock Sandbox, LLC

1069 Zygmunt Circle, Westmont, IL 60559 Tel: (630) 963-9422

Fax: (630) 963-9444 www.sandlock.com info@sandlock.com



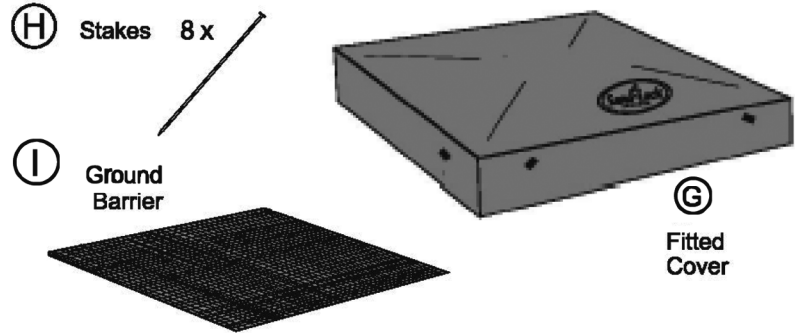
5' x 5' Sandbox

Model: CSG-6060



Your SandLock Sandbox kit includes:

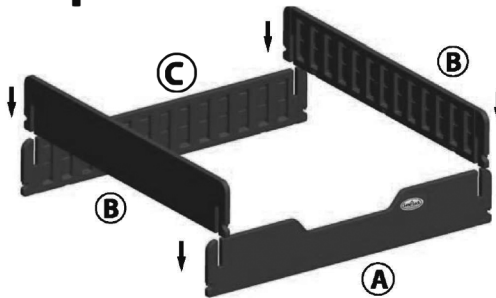
- (A) Front Panel 1x
- (B) Side Panel 2x
- (C) Back Panel 1x
- (D) Seat Top 2x
- (E) Seat Support 4x



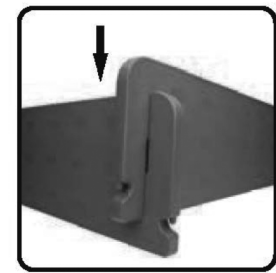
Before you begin...

- ✓ Make sure to choose a level, flat area to place the sandbox.
- ✓ Cutting the grass low can ensure a smooth surface to build on.
- ✓ If installing on a solid surface, see page 6 for Solid Surface Installation.

Step 1



Interlock panels as shown in the diagram.

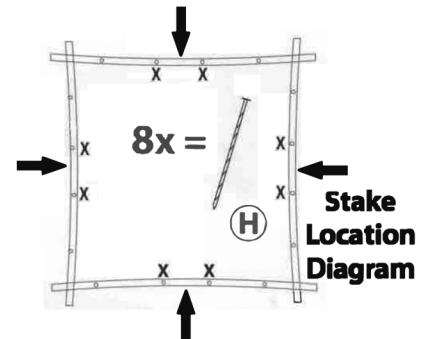
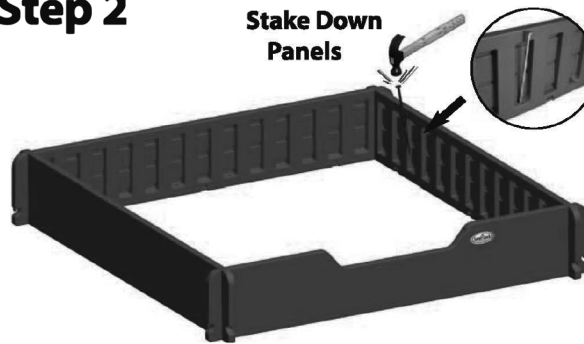


Interlocking panels simply slide together for a secure fit.

Important Tips

- ✓ Hold the center of the panels slightly inward when setting the stakes.
- ✓ Once the sandbox is filled with sand, the sand will push the panels outward, straightening them out.

Step 2



Next, stake the panels to the ground. Place stakes in the "X" positions as indicated in the diagram to the right.

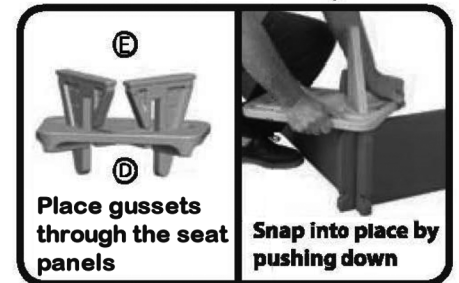
Important Tips

- ✓ The recommended depth of sand is 6"-7" weighing approximately 750 lbs.
- ✓ For complete instructions to assemble the seats, refer to page 4.

Step 3



Seat Assembly



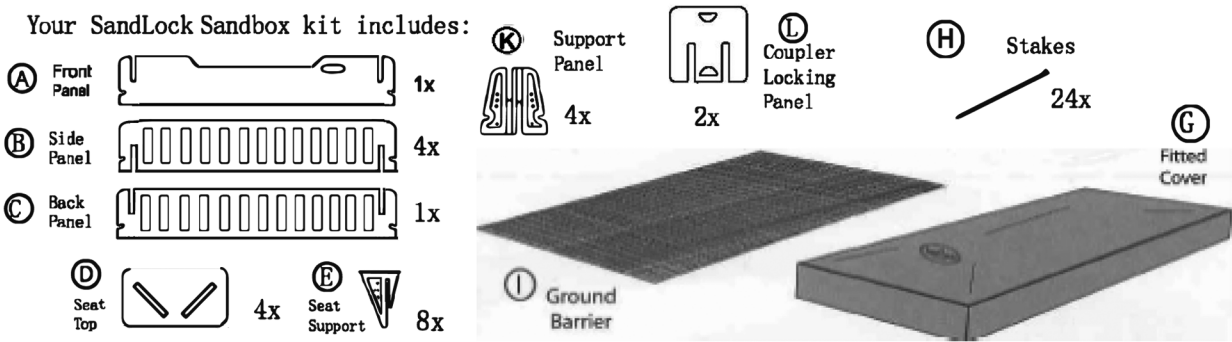
Place ground barrier in the bottom of the sandbox. Add a small amount of sand on each corner of the liner to pull the liner tight. Once the liner is stretched out, add the rest of the sand.



5' x 10' Sandbox

Model: CSG-60120

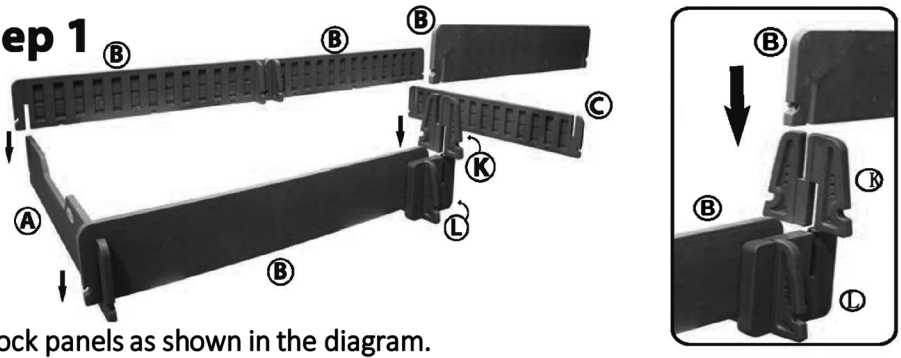
Your SandLock Sandbox kit includes:



Before you begin...

- ✓ Make sure to choose a level, flat area to place the sandbox.
- ✓ Cutting the grass low can ensure a smooth surface to build on.
- ✓ If installing on a solid surface, see page 6 for Solid Surface Installation.

Step 1

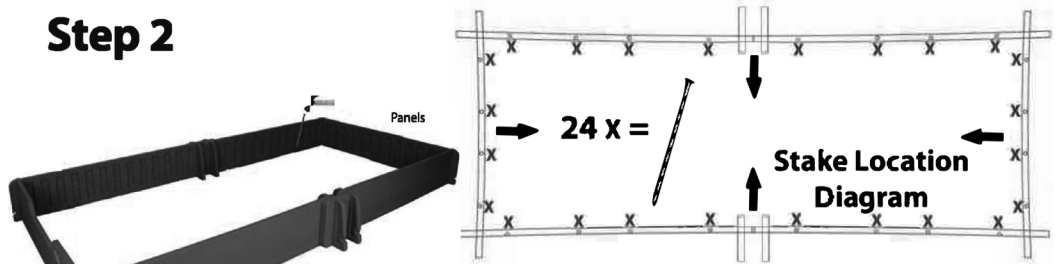


Interlock panels as shown in the diagram.

Important Tip

- ✓ Hold the center of the panels slightly inward when setting the stakes.
- ✓ Once the sandbox is filled with sand, the sand will push the panels outward, straightening them out.

Step 2



Next, stake the panels to the ground. Place stakes in the "X" positions as indicated in the diagram to the right.

Stake Down Panels



Important Tip

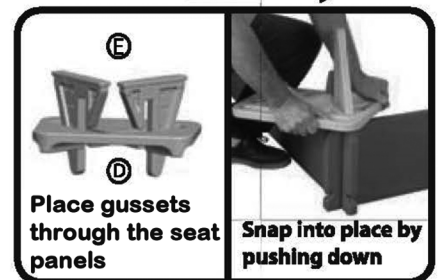
- ✓ The recommended depth of sand is 6"-7" weighing approximately 1500 lbs.
- ✓ For complete instructions to assemble the seats, refer to page 4.

Step 3



Place ground barrier in the bottom of the sandbox. Add a small amount of sand on each corner of the liner to pull the liner tight. Once the liner is stretched out, add the rest of the sand.

Seat Assembly



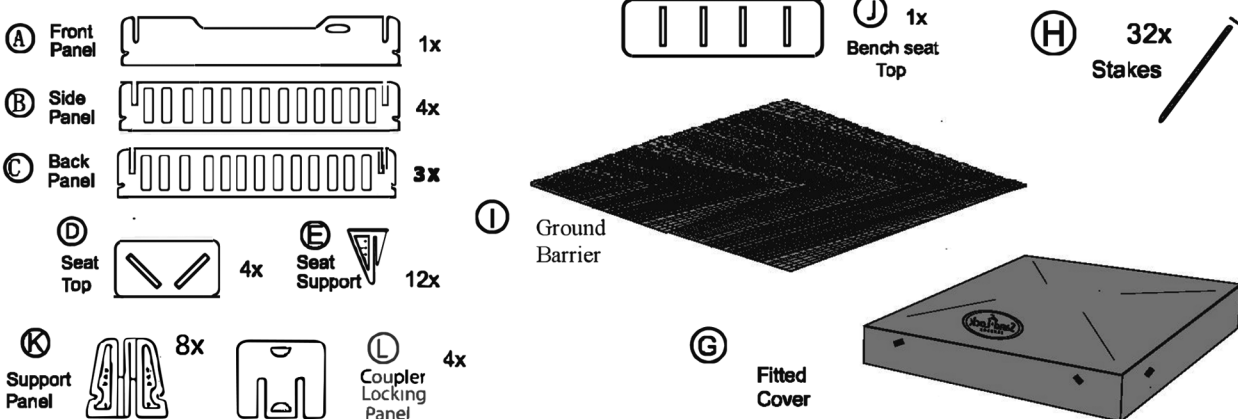


10' x 10' Sandbox

Model: CSG-120120

With Fitted Cover, Ground Barrier,
4- Corner Seats & 1- Bench Seat

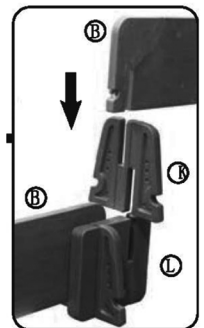
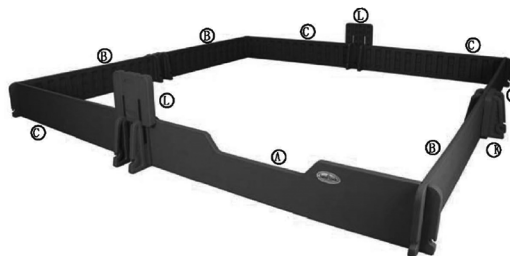
Your SandLock Sandbox kit includes:



Before you begin...

- ✓ Make sure to choose a level, flat area to place the sandbox.
- ✓ Cutting the grass low can ensure a smooth surface to build on.
- ✓ If installing on a solid surface, see page 6 for Solid Surface Installation.

Step 1

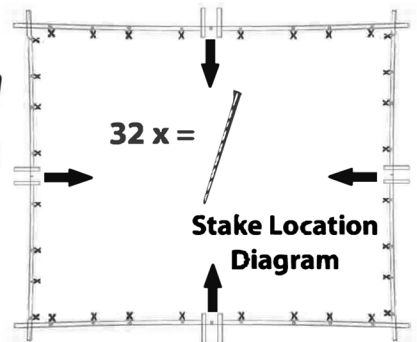
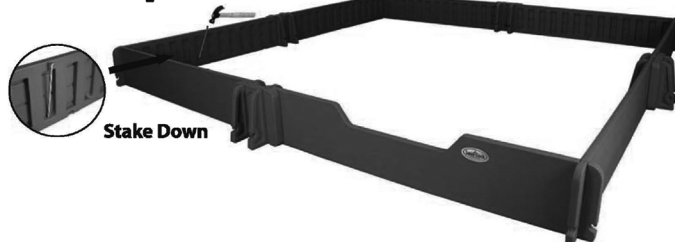


Interlock panels as shown in the diagram.

Important Tip

- ✓ Hold the center of the panels slightly inward when setting the stakes to prevent outward bowing.
- ✓ Once the sandbox is filled with sand, the sand will push the panels outward, straightening them out.

Step 2



Next, stake the panels to the ground. Place stakes in the "X" positions as indicated in the diagram to the right.

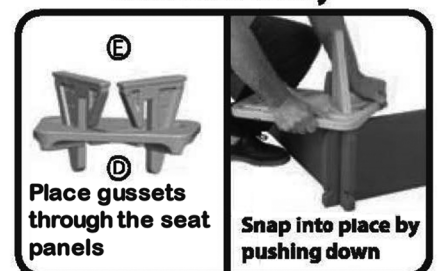
Important Tip

- ✓ The recommended depth of sand is 6"-7" weighing approximately 3000 lbs.
- ✓ For complete instructions to assemble the seats, refer to page 4.

Step 3



Seat Assembly



Place ground barrier in the bottom of the sandbox. Add a small amount of sand on each corner of the liner to pull the liner tight. Once the liner is stretched out, add the rest of the sand.



Seat Assembly Instructions

Corner Seat

Model: SLA-10CS



Insert the gussets as shown with the smaller ends pointing towards each other. Then place the seat panel on the corner of the sandbox and firmly press down until gussets snap into place.

Bench Seat

Model: SLA-10BS



Similar to the corner seat, insert the gussets into the seat panels. Then firmly press the bench seat on the straight side of the sandbox panels until the gussets snap onto the panel.

Warning!

- ✓ *Keep fingers clear of interlocking parts when placing pieces onto the sandbox*
- ✓ *Do not stand on seats*
- ✓ *Remove seats when installing the cover*



Sandbox Cover Installation

CSG-6060 - CSG-60120 - CSG-120120

Although your corner seats can be utilized to create a watershed with your cover, another option is to support the sandbox cover by placing a standard 45 centimeter exercise ball underneath the cover. This will keep the cover supported, allow water to run off the cover, and prevent pooling of water. Balls are available for purchase at www.sandlock.com. The instructions for the sandbox cover installation are given below.

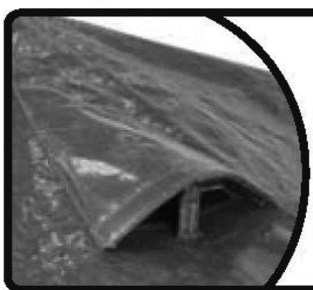
First, remove all the seats on the sandbox. Place corner seats on end in the sand, or place the ball in the center of the sandbox.

- ✓ *For a 5x5 sandbox, use 1 ball*
- ✓ *For a 5x10 sandbox, use 2 balls*
- ✓ *For a 10x10 sandbox, use 3-4 balls*



Then, place the sandbox cover over the ball or seats and pull the corners down to secure with shock cords. The shock cords should be stretched down into notches in the panels of the sandbox.

- ✓ *The tightness of the shock cords can be adjusted by moving the knot in the cord.*



Vents in cover provide air flow while the cover is in place.



Shock cord attachment securely attaches cover.





Solid Surface Installation Using the Strap Kit

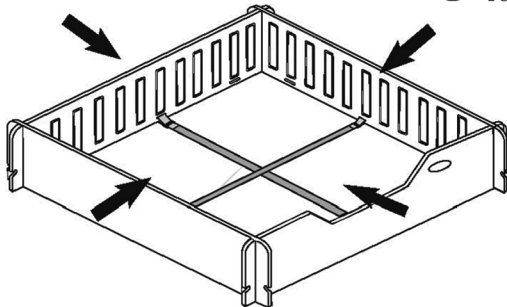
When installing sandbox on any solid surface it is important to use the Strap Kit. This system allows sandboxes to be assembled on solid surfaces without staking panels for support. By using the strap kit, panels will be secured to one another.

✓ *Strap kits are not included with Sandlock Sandboxes. Call Sandlock Sandbox at (630) 963-9422 or visit www.sandlock.com in order to find the correct matching kit for your model of sandbox being installed.*

5' x 5'
CSG-6060
Strap kit item number: (SLA-6060SK)

(D) Buckle 4 X

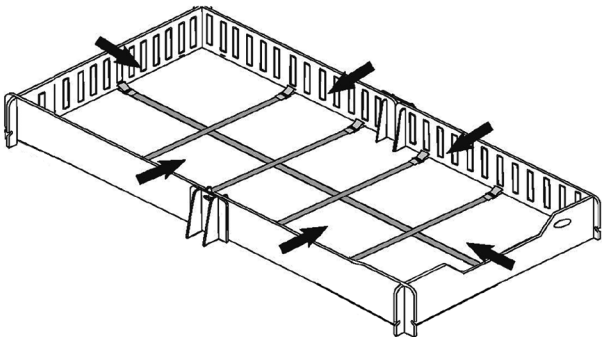
(E) Polypropylene Webbing 2X



5' x 10'
CSG-60120
Strap kit item number: (SLA-60120SK)

(D) Buckle 10 X

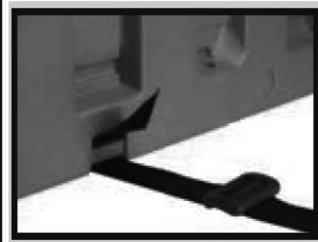
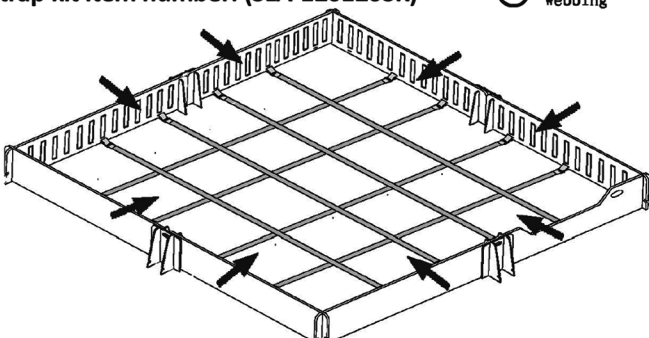
(E) Polypropylene Webbing 5 X



10' x 10'
CSG-120120
Strap kit item number: (SLA-120120SK)

(D) Buckle 16 X

(E) Polypropylene Webbing 8x



Begin with the strap through the anchoring point at the bottom of the panel.



Then thread the strap through the buckle leaving enough of the strap to adjust. Adjust the tightness of the straps so that the panels are slightly pulled inward.

- ✓ *Sandbox should be assembled on the flattest area of the solid surface*
- ✓ *Adjusting the panels slightly inward will ensure the panels are in line once the sand is in place*

Maintenance Tips

- Choose a level area with appropriate drainage to install your sandbox.
- Wash your sandbox and cover with a mild non-abrasive, child-friendly and non-toxic soap and brush.
- To create a watershed with your cover, use your corner seats and place them on end in the center of the sandbox before putting your cover on.
- Hold the side of the sandbox down when removing seats to prevent loosening your ground stakes.
- When not in use, keep your cover on to minimize fading and discoloration of your sandbox.
- Prevent outward bowing of the sandbox panels by periodically redistributing high levels of sand away from the upper portions of the sandbox panels.
- SandLock Sandbox panels are designed to be flexible to prevent breakage. If over time, your panels bow outward, pull the sand about 6" away from the panels. Working on one panel at a time, remove all the ground stakes, pull the panel inward until it bows inward a couple of inches, hold in-place and re-stake the panel in that position - repeat for all panels, then redistribute your sand towards the panels.
- Adjust your cover tautness by relocating the knots on the adjustable shock cords on your cover.
- Prop open your cover vents with the built-in velcro stands to allow air flow under your cover.
- Use a toy sand sifter for the children to play and remove debris to maintain cleanliness.
- On windy days remove your shade umbrella, (sold separately), to prevent damage and accidents.
- Deter bugs and vermin by sprinkling or planting natural herbs and spices around the outside perimeter of your sandbox. Refer to the internet to research the most appropriate ingredients for your geographical location and critter concerns.
- Avoid food products in and around your sandbox to prevent attracting bugs and vermin.
- If your sand is too wet, leave the cover off on a sunny day and periodically turn the sand to dry it out.
- Periodically wash your sand with a hose and child-friendly, non-toxic cleanser to keep your child's sand sanitary, or replace your sand as needed. Remember, sandy beaches do not have covers and are washed frequently by nature.

You have purchased a high-quality sandbox that can last for years with minimal maintenance. When you are done with your sandbox, please donate it to a family member, friend or local school who can also enjoy your generosity for years to come. Or you can re-purpose it as a raised garden!

Visit us at sandlock.com to see our other sandbox accessories available for purchase:

- Shade Umbrella Kit
- Bench Seats
- Additional corner seats
- Watershed balls
- Replacement Covers
- Individual replacement pieces (beyond warranty period).
- Solid Surface Strap Kits

Caution:

- Adult assembly is required.
- Keep hands free from interlocking parts.
- Do not install sandbox where damage can occur to underground utilities and other items when installing stakes.
- Do not leave children unattended in or around sandbox.
- Do not stand on seats.
- Please do not contribute to our landfills - SandLock Sandbox products are 100% recyclable - Please donate or recycle.

1 Year Limited Product Warranty- SandLock Sandbox, LLC warrants its Sandboxes to be free from defects in material and workmanship for One (1) year from the original date of purchase. If any failure to conform to this warranty becomes apparent during the warranty period, purchaser shall promptly notify SLS via email or phone to establish such claim. Although UV stabilizers have been added to our products, slight discoloration can occur with extended periods of sunlight; using our covers can limit discoloration - sun fading is not a warranty failure. This warranty is issued to the original purchaser only, and is not transferable in any way at any time. During the warranty period, SLS will replace any defective part to the purchaser with similar or like parts of the same. **Beyond the warranty period, individual parts are available for purchase, call us if you need a part - (630)-963-9422 or email us at info@sandlock.com.**

This warranty shall not apply to any damage or product failure that is caused by a condition beyond SLS's control, including, but not limited to, misuse, neglect, accidental damage, improper installation or application, alteration, acts of God or normal wear and tear. SLS shall not be liable for any costs of removal or installation. SLS's sole and exclusive obligation under this warranty shall be limited to repair or replacement of the defective item(s) at SLS's discretion.